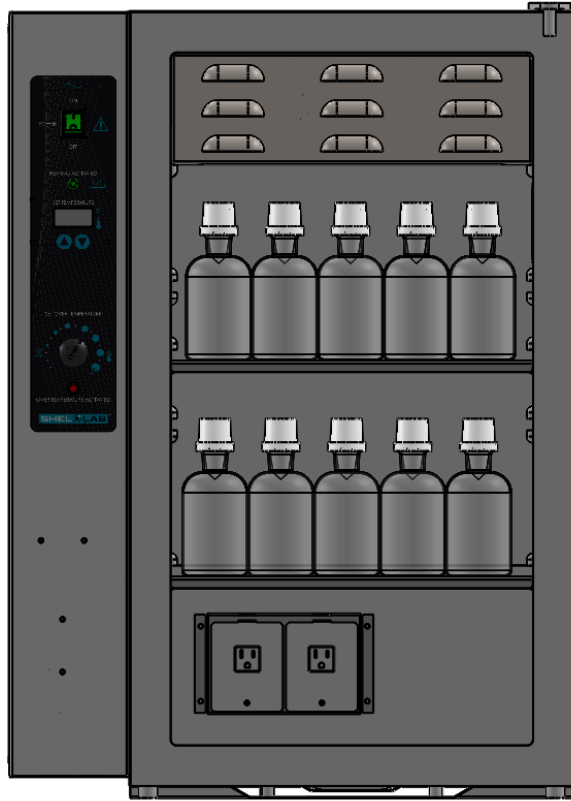
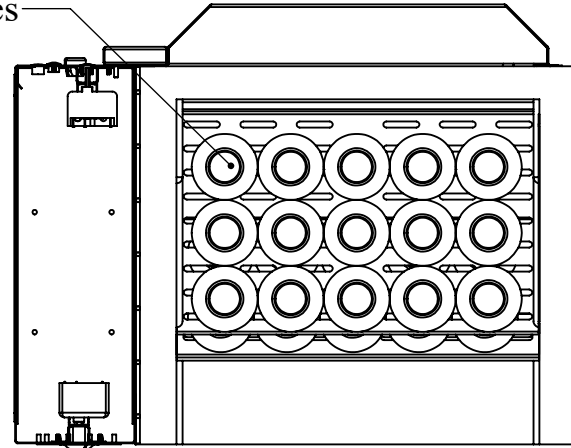


CHG BY	CHG NR	REV	DATE	DESCRIPTION



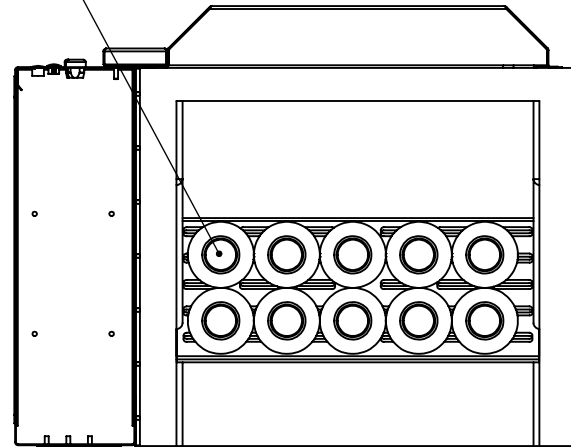
**SRI3 Refrigerated Incubator 2.4 CF  
COMPRESSOR 115VOLT**

15ea. 300ml bottles



Top Shelf

10ea. 300ml bottles



Bottom Shelf

DRAWN BY	DATE
	3/14/2024
TOLERANCE UNLESS OTHERWISE SPECIFIED	
.X	= ± .063
.XX	= ± .032
.XXX	= ± .015
	ANGULAR ± 1°
	HOLE DIA ± .005



SRI323, 115v

PART#	9110742	REVISION	A
MATERIAL		SCALE:1:8	SHEET 1 OF 1